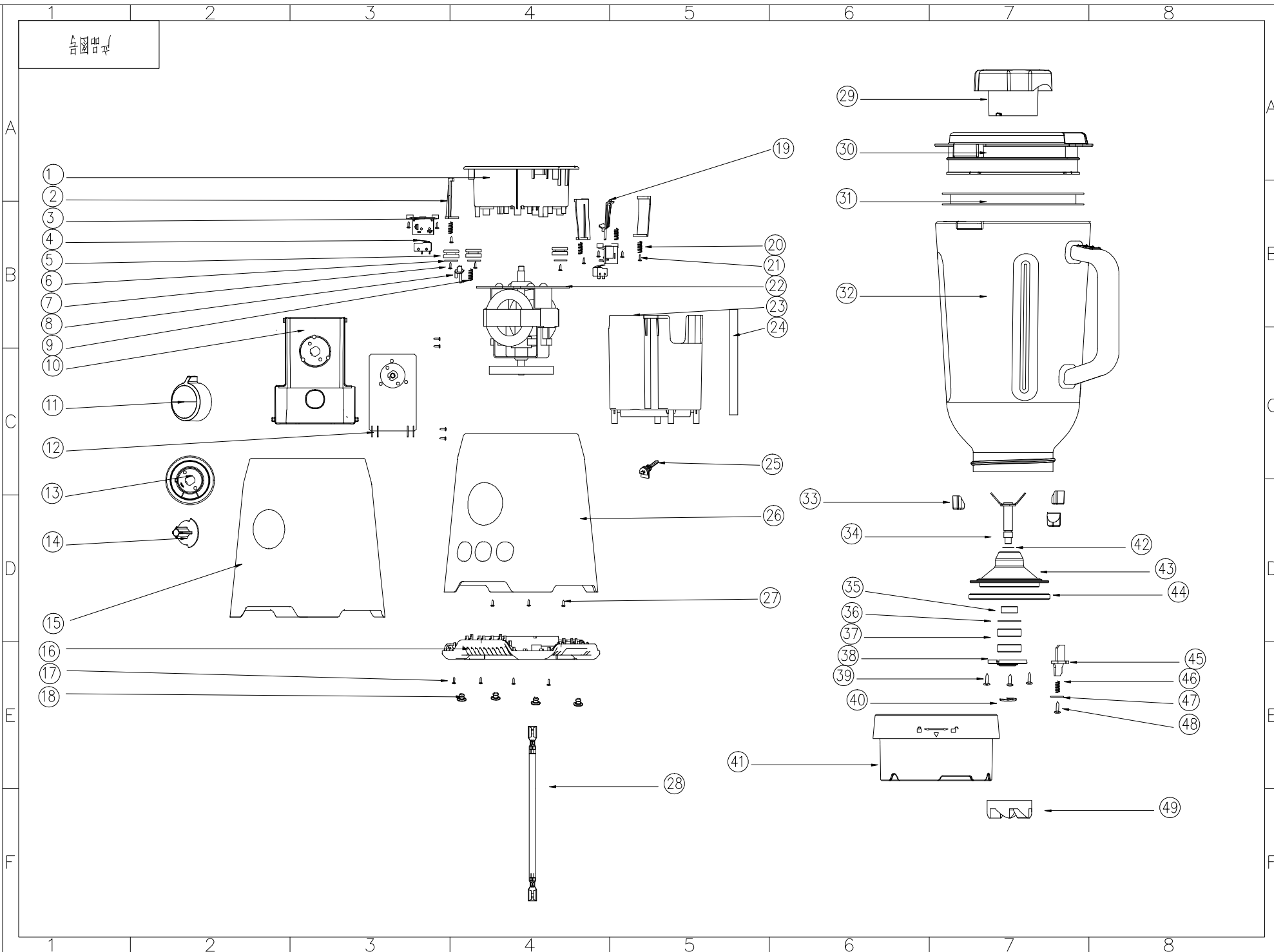


exploded view diagram of a kitchen appliance, likely a blender or food processor, showing various components numbered 1 through 49. The diagram is organized into a grid with columns 1-8 and rows A-F. The components are arranged in an exploded view, showing their relative positions and assembly order. The main body (26) is the central component, with the motor (10) and base (27) below it. The blending jar (32) is shown to the right, with its lid (29) and various blades (33-40) and seals (41-48) shown in detail. The diagram includes a title box in the top left corner and a grid for reference.



A3